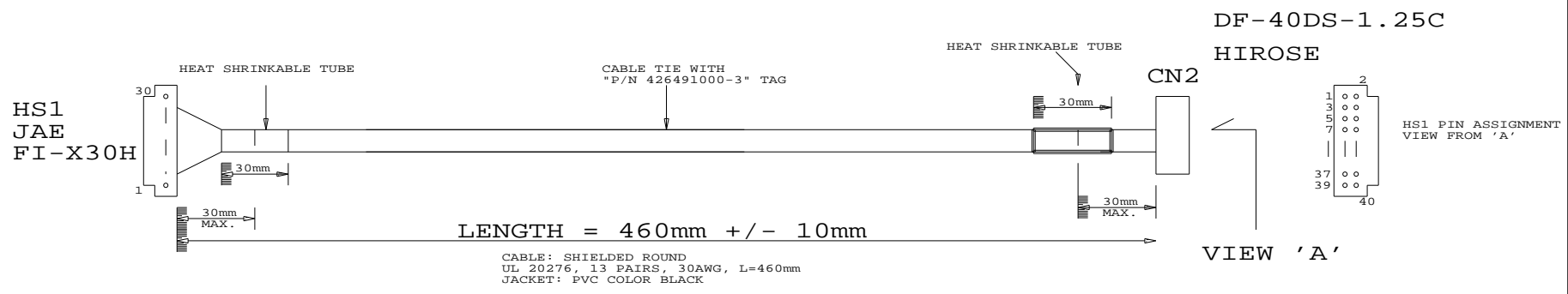
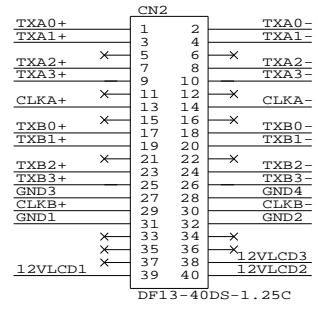
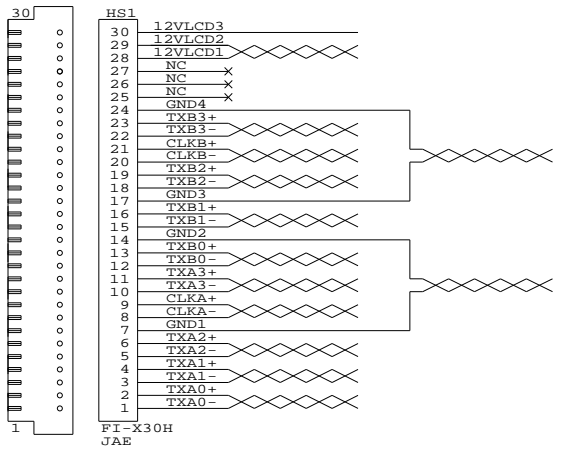


TOLERANCE :  
+10mm  
-10mm



USAGE:  
CABLE FOR AU T460HW01 PANEL  
(WITH SVH-1920)

P/N 426491000-3  
LVDS PANEL CABLE: AU T460HW01, 460mm

RoHS  
COMPLIANCE

DIGITAL VIEW LTD. COPYRIGHT 2006, ALL RIGHTS RESERVED CONFIDENTIAL		
DRAWN BY: VICTOR NG		
Title	P.CABLE: FOR AU T460HW01, 460mm	
Size	Document Number	REV
B	(...\DV\DV_CABLE\C6491000.SCH)	01
Date:	August 29, 2006	Sheet 1 of 1

# Mouser Electronics

Authorized Distributor

Click to View Pricing, Inventory, Delivery & Lifecycle Information:

[Digital View:](#)

[426491000-3](#)